



## FORD COMPONENT SALES, LLC

# Ford 6R140: 6-Speed Automatic Transmission

### Technical Specifications

Transmission Type:  
Electronically Controlled

Engine Torque:  
935 ft-lbs max

Converter K Factor:  
125K gas, 97K diesel

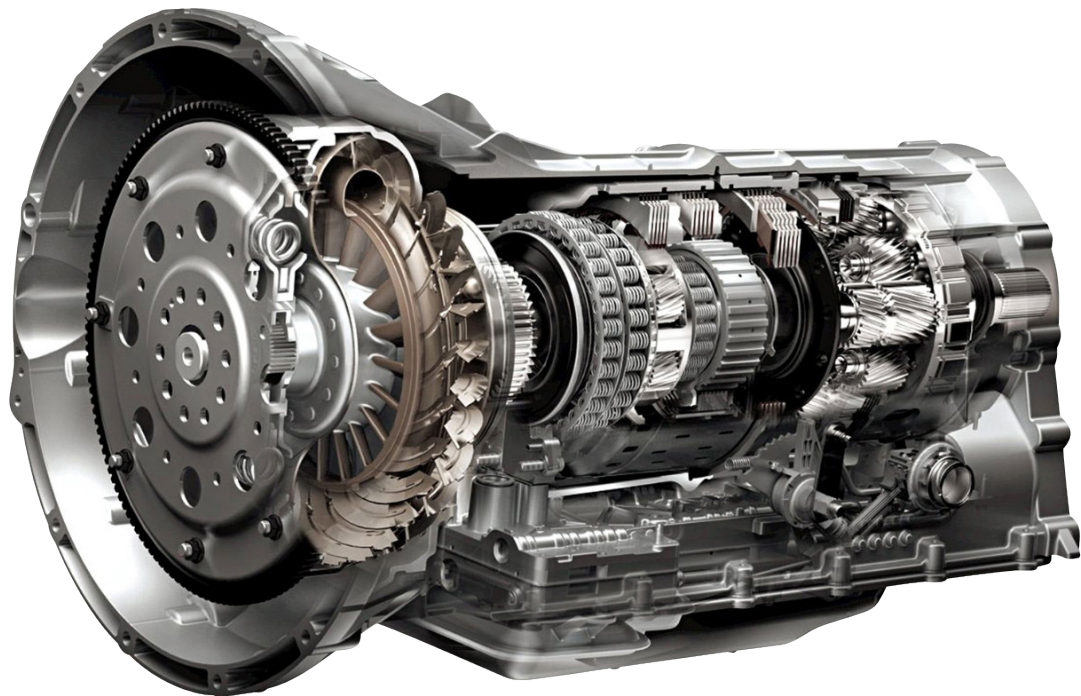
Continuous: 250 degrees F

Installation Angle:  
No more than 5 degrees

Weight: 345 lbs.

Transmission Fluid:  
MERCON LV ATF

Fluid Capacity: 4 gallons



### Approximate Dimensions


Length: 30.3 inches (769 mm)

Width: 18.7 inches (475 mm)

Height: 19.5 inches (495 mm)

[fordcomponentsalesllc.com](http://fordcomponentsalesllc.com)

290 Town Center Drive, Ste. 1000  
Dearborn, MI 48126

 (313) 390-1200

 [fcscusts@ford.com](mailto:fcscusts@ford.com)

# Ford 6R140: 6-Speed Automatic Transmission

## Key Features & Benefits

- Six forward speeds
- Lepelletier powerflow
- Fixed flange or slip yoke output connection
- 1 simple planetary and 1 ravigneaux gear set
- 5 clutch packs (3 rotating, 2 brake clutches)
- Adjustable shift points with electronic controls (communicates via J1939)
  - \*Lockout gears and adjust pressure of shifts
  - Load reduction in Neutral capable

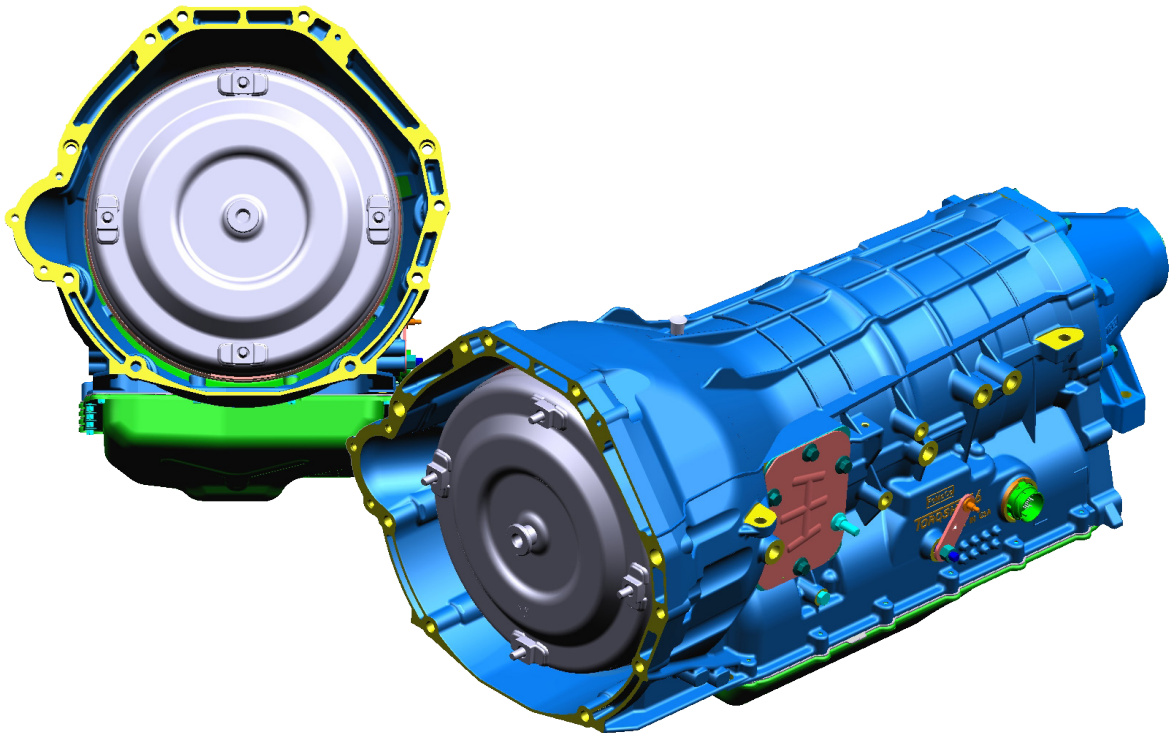
## Gear Ratios and Range Selection

- First Gear: 3.974
- Second Gear: 2.318
- Third Gear: 1.516
- Fourth Gear: 1.149
- Fifth Gear: 0.858
- Sixth Gear: 0.674
- Reverse Gear: 3.128

## Transmission Controller

Type: PCM for gas engine applications or TCM for diesel engine applications

PTO Option



Specifications, features, and benefits applicable to engines and transmissions are based on Ford products, and may vary with different applications. Pictures and details shown are for illustrative purposes only (actual product may vary). Additionally, the availability of the product(s) described herein may vary. Contact Ford Component Sales, LLC for details.